

# **AGRITREND**

## **We Control the Quality**

### **THE AGRITREND RANGE OF PAN TYPE MIXERS FOR FARMING, CONSTRUCTION AND INDUSTRY**

Agritrend pan mixers are designed and built for a long and useful working life with low cost of ownership. We employ the latest production methods to improve quality and cut costs. These savings allow us to put more steel and better components into our mixers. Our mixers are made for hard work.

[www.agritrend.co.uk](http://www.agritrend.co.uk)



**Address:**  
LLAIN FAWR  
DEVILS BRIDGE  
ABERYSTWYTH  
CEREDIGION  
SY23 4QU

**Morgan Evans (sales)**  
Phone: 07791 179168  
E-mail: [morgan.evans@agritrend.co.uk](mailto:morgan.evans@agritrend.co.uk)

**Bob Mills (dealership enquiries)**  
Phone: 07979 061250  
E-mail: [bob.mills@agritrend.co.uk](mailto:bob.mills@agritrend.co.uk)



Agritrend PTO drive mixer



Agritrend hydraulic and electric drive



Agritrend bespoke. Made just for you!

## Agritrend Farmer PTO driven pan mixer 850 litre mix capacity (1.1 cubic yards). 600 litre and 1200 litre versions also available.

The Agritrend PTO pan mixer is ideal for operation on 3-point linkage. Power is handled by a Comer gearbox with ratio 7.8:1. Mixing arms are arranged in a cruciform layout with side scraper and adjustable stirring paddles. The mixer features a robust safety grill with aggregate bag breaker. We provide two exit port positions with a sturdy and moveable pouring spout. The mixers operate at 50-60 rpm providing fast and effective throughput of compost, feed, concrete and other aggregates.

- 850L (1.1 cubic yards) fill and mix capacity
- Comer 7.8:1 ratio oil filled gearbox
- Suitable for mortar and concrete, feed and compost
- Suitable for tractor 3 point linkage
- 6mm 355 steel floor and 5mm steel sides and chassis
- Sleeve length adjusted stirring paddles
- Side scraper
- Unbreakable sprung steel paddle holders
- Heavy duty Slip clutch PTO in place of shear bolt protection
- Two discharge ports
- Splash guard
- Reinforced fork slots and three point linkage
- Heavy, strong and durable construction with unfilled weight 600kg
- External grease points for daily care to ensure long life



Cruciform arrangement of sprung stirring paddles and side scraper



Strong easy-lift safety grill



Two discharge ports at back and offset to the right

# Agritrend Profi hydraulic motor pan mixer with heavy duty chain drive.

The Agritrend Profi hydraulic motor Pan Mixer is designed for use on telescopic loaders and 3 point linkage. Power is provided through a hydraulic motor and heavy duty chain drive. The mixer is generously engineered for long and aggressive use. The steel floor is thickened to 8mm for longer life and to eliminate flexion wear on the main bearing. The entire drive-line is protected from dirt and damage within solid 4mm steel plating. Two external grease-points are provided for daily attention.

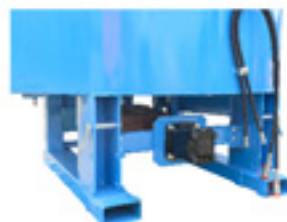
- 850L max fill
- Hydraulic motor
- Heavy duty chain drive with 16B chain (1 inch)
- Spring tensioner on drive chain
- Floor with braced 8mm steel
- Sides 5mm steel
- Under chassis 5mm steel
- Fork slots and three point linkage
- Double safety chain for loader bracket
- Flow valve non return
- 2 hoses with BSP terminations 1 X male and 1 X female
- High quality main bearing for drive
- 2 X chute exits with 1 spout
- Bag cutter



View of the Profi driveline showing robust components contained within 4mm protective steel plate



16B drive chain



View of forks showing motor



Generously engineered reinforced main sprocket

## Hydraulic Motor Specification

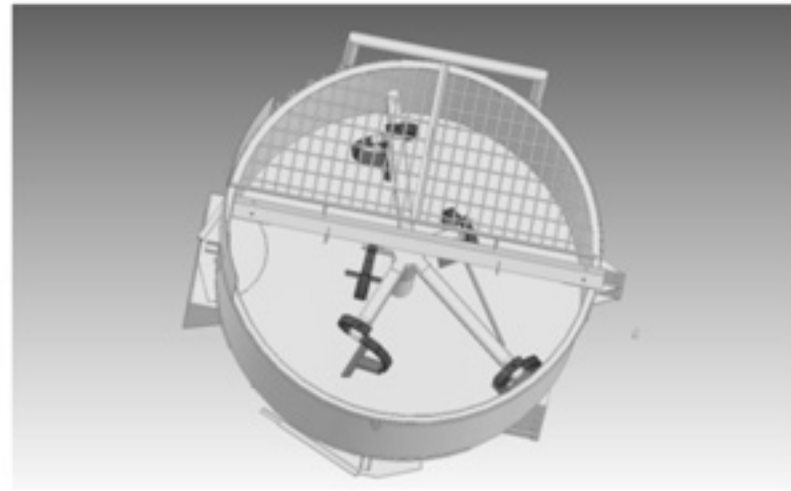
Stroke volume (cm <sup>3</sup> /rev)	410,9
P1 (bar)	180
P2	210
P3	240
N max. (Rpm)	305
N min.	7
Torque (da Nm)	108
Q max. (l/min)	125
Power (kW)	31,2

# Agritrend Bespoke Mixers: MADE JUST FOR YOU

We offer a bespoke service for our industrial customers with a range of options including electric drive, PTO drive, hydraulic loaders and hydraulic drives in a range of pan sizes



1.2 cubic meter version with pentaform stirring arm design



Bespoke design service for industrial applications



## Range of hydraulic loaders

Model	Loader Capacity	Additional Weight
600 Litre	250 Litre	180 kg
850 Litre	330 Litre	200 kg
1200 Litre	440 Litre	220 kg